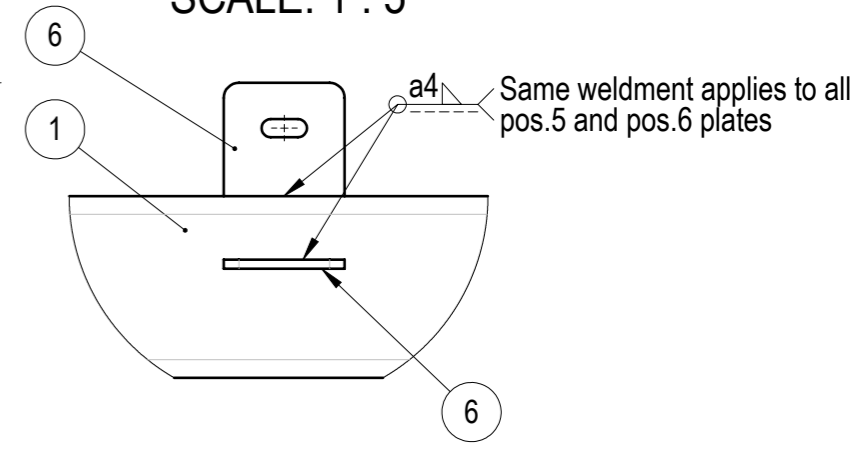
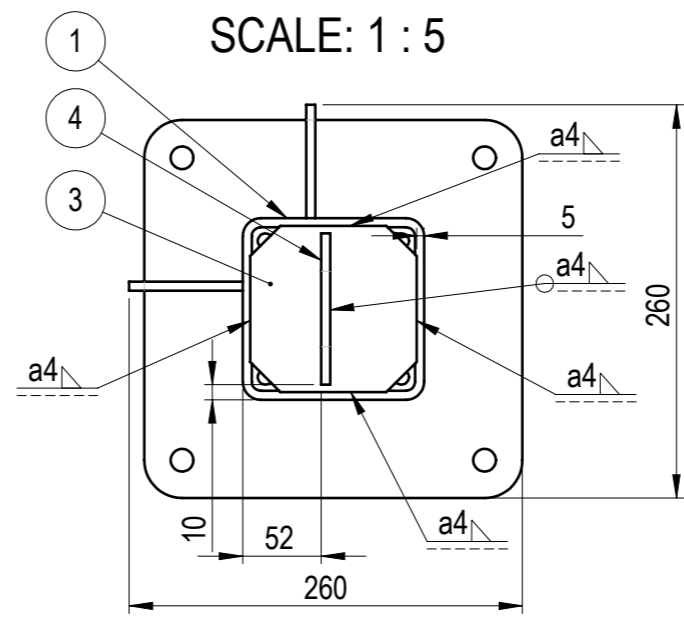
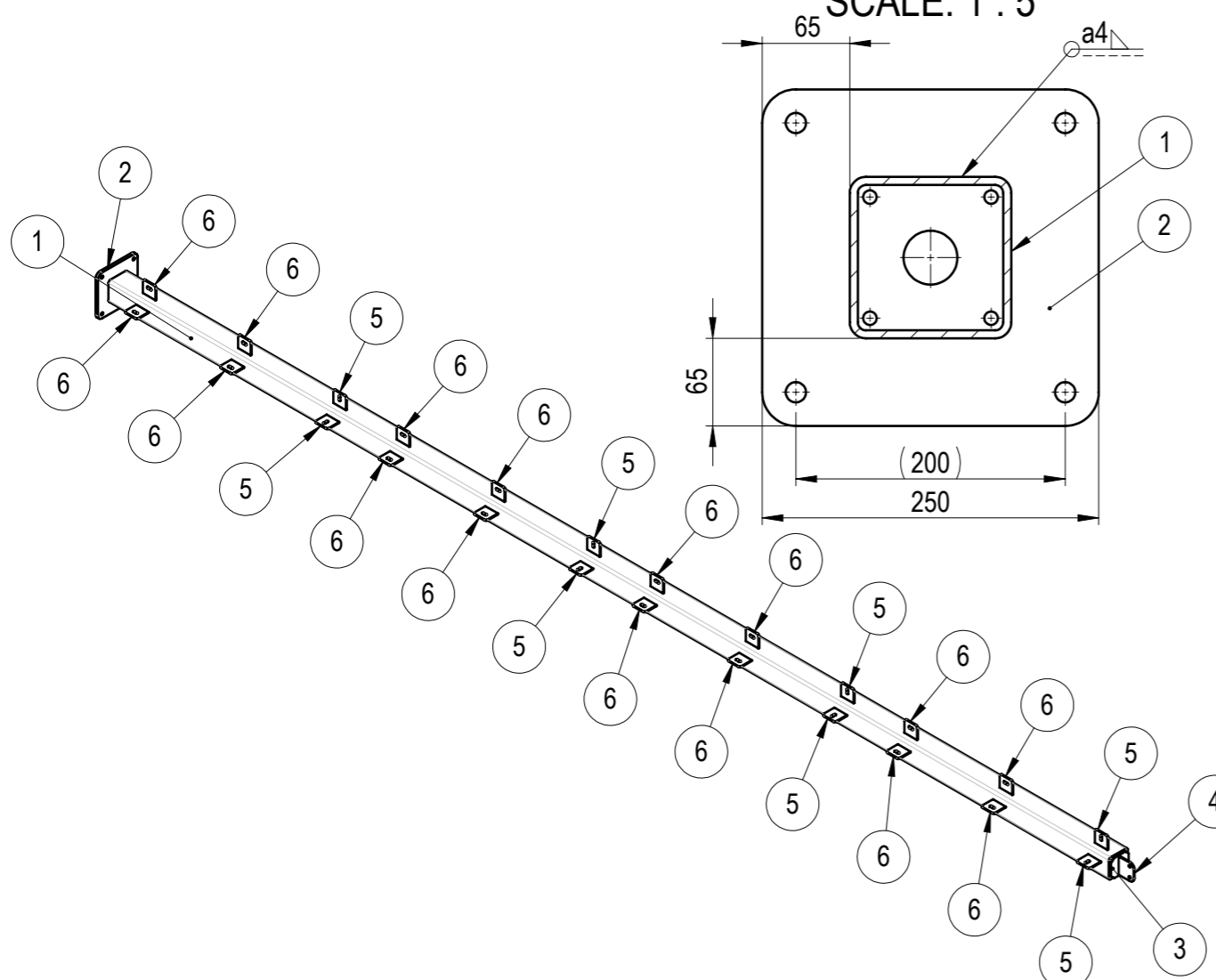


A-A
SCALE: 1 : 5

B
SCALE: 1 : 5

C
SCALE: 1 : 5



NO.	PART NO	DESCRIPTION	MATERIAL	PROCESSING	REVISION	WEIGHT	QTY
1	105-60301-01	Column tube	S355J2	CND		129.99	1
2	105-60301-02	Base plate	S355J2	LC		6.98	1
3	105-60301-03	End cap	S355J2	LC		0.88	1
4	105-60301-04	Top bracket	S355J2	LC		0.42	1
5	105-60301-05	Side bracket 1	S355J2	LC		0.26	8
6	105-60301-06	Side bracket 2	S355J2	LC		0.26	16

		MATERIAL	WEIGHT	DEBURR AND BREAK SHARP EDGES DO NOT SCALE DRAWING		REVISION	DATE	
		-	144.597 Kg				19.06.2026	
Designed by SEKO Drawn by D. Dislers Technical ref.		SURFACE PROTECTION		MACHINING	THERMAL CUTTING	WELDING	SCALE	
		HDG EN ISO 1461		ISO 2768 mK	ISO 9013 221	ISO 13920 BF	1:20	FORMAT A3
		NAME	SIGNATURE	PART NO.			105-60302-00	
				DESCRIPTION			Rear column 2	
							SHEET 1/1	